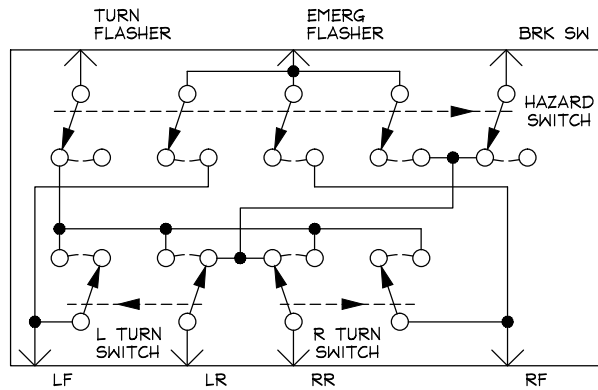
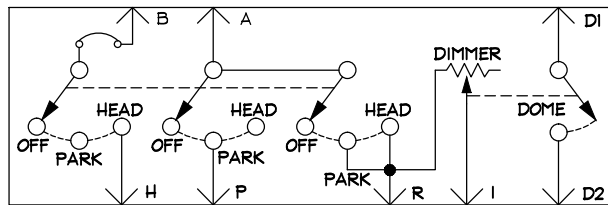


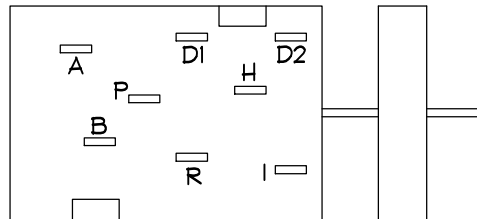
12:15:13 PM C:\USERS\JIM\APPDATA\LOCAL\TEMP\ACPUBLISH_6804\AUTOELECTRIC1.DWG



TURN SIGNAL SWITCH

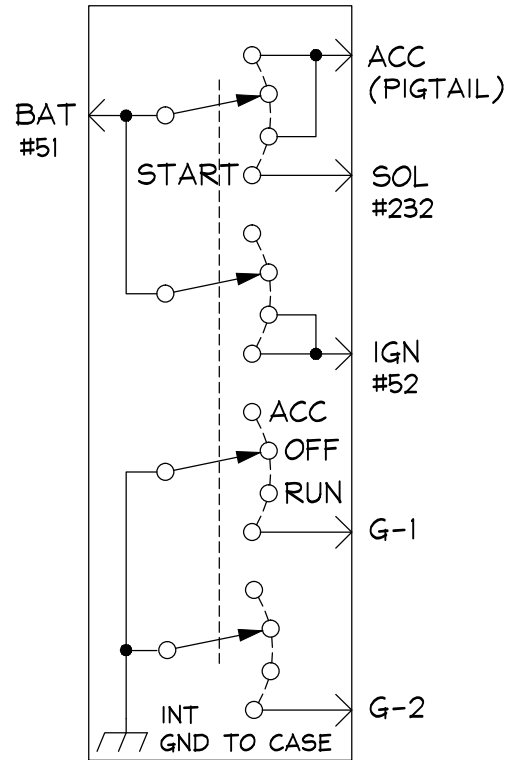


HEADLIGHT SWITCH

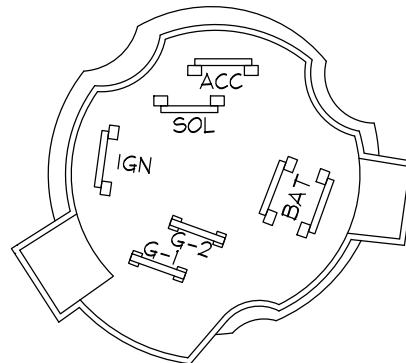


BOTTOM VIEW

**EITB-11654-AA
1985 FORD F-150**

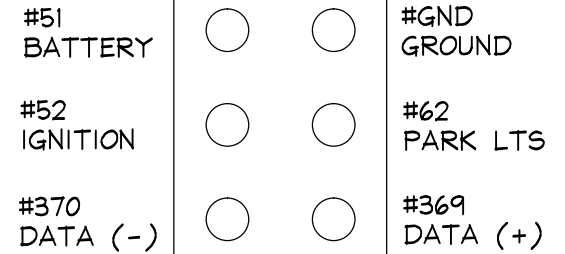


IGNITION SWITCH

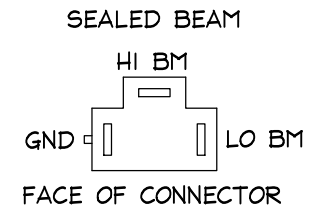


72 CHEVY C-10 PICK UP

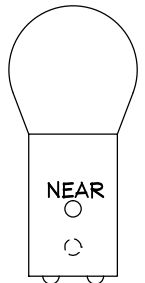
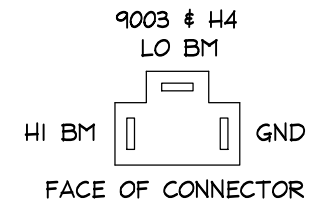
WIRE SIDE of CONNECTOR



**MAGNUM INTELLIDRIVE
VEHICLE COMPUTER**



HEADLIGHT CONNECTORS



**15 DC INDEXED
(1157, 2057)**

ADD IGNITION SWITCH 7/2/09

SCALE:N/A

PROJECT:SAFARI

TITLE:ELECTRICAL COMPONENTS

ADD TURN SIGNAL SWITCH 5/18/10

DRAWN:JIM EXLER

LOC:CAMARILLO, CA

DRG: COMPONENT 1

REVISION

DATE: 8/25/08

JOB NO:N/A

AutoElectric1.dwg

2